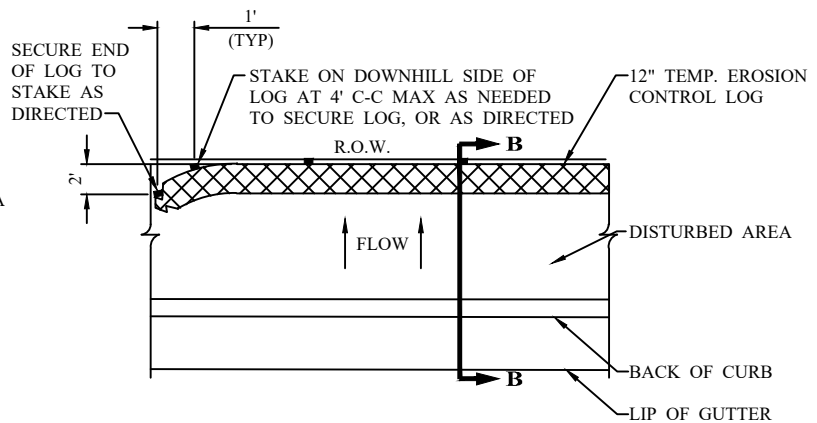
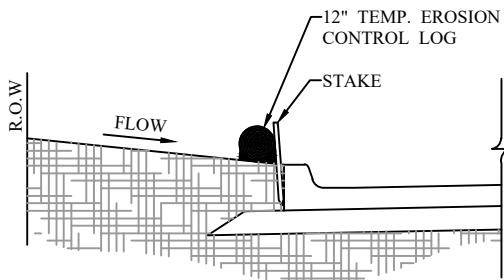


PLAN VIEW
NOT TO SCALE

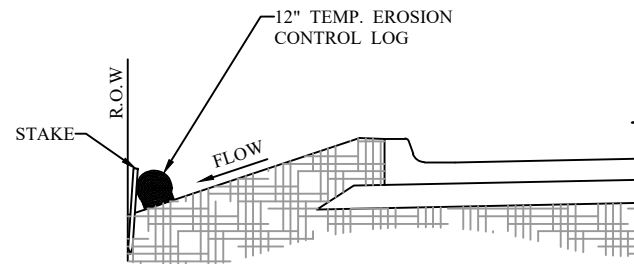


PLAN VIEW
NOT TO SCALE



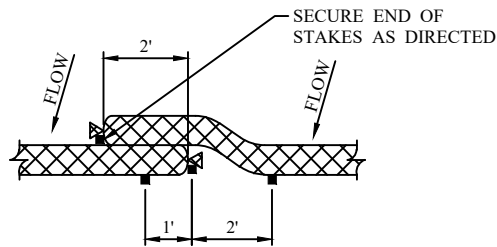
SECTION A-A

LOG PLACED AT BACK OF CURB
NOT TO SCALE



SECTION B-B

LOG PLACED AT EDGE OF RIGHT-OF-WAY
NOT TO SCALE



LAP DETAIL
NOT TO SCALE

NOTES

SEE SHEET S-CC-4 FOR GENERAL NOTES.

CITY OF SAN ANGELO

**TEMPORARY EROSION
CONTROL LOGS**

January 2008

S-CC-5