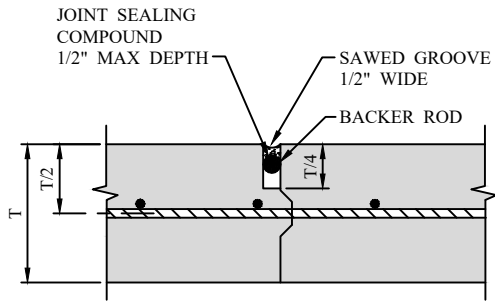
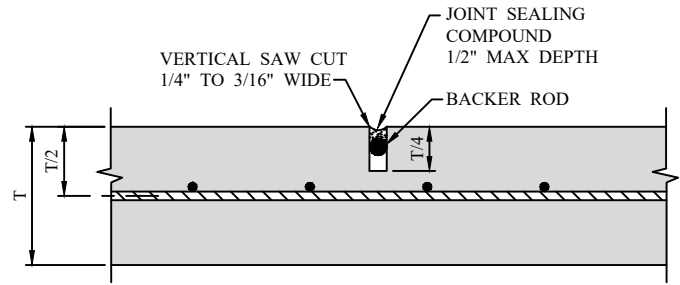


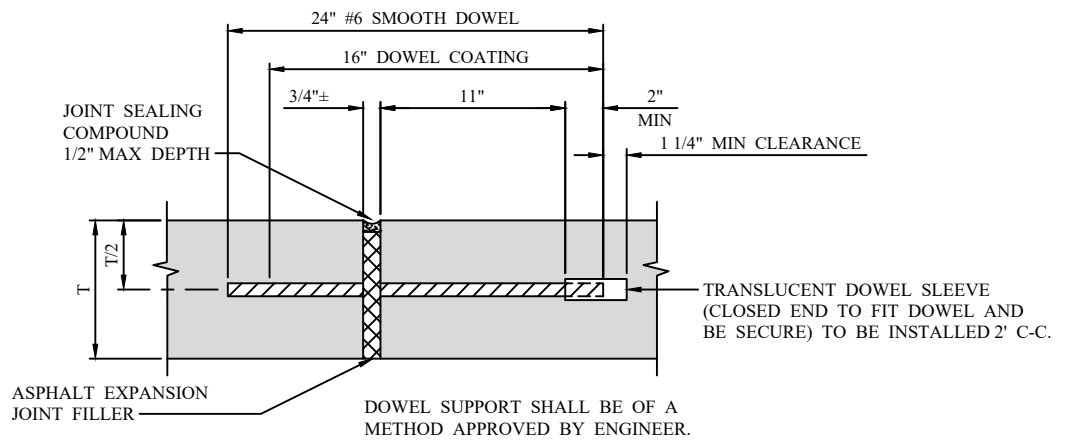
CONSTRUCTION JOINT
NOT TO SCALE



KEYWAY JOINT
(FOR PAVEMENT THICKNESS > 6")
NOT TO SCALE



SAWED CONTRACTION JOINT
NOT TO SCALE



EXPANSION JOINT
(SPACED 50 FT. MAXIMUM; LOCATE AT
STRUCTURES AND AT INTERSECTION P.C.'S & P.T.'S)
NOT TO SCALE

CITY OF SAN ANGELO

**REINFORCED CONCRETE
PAVEMENT DETAILS**

January 2008

S-S-1