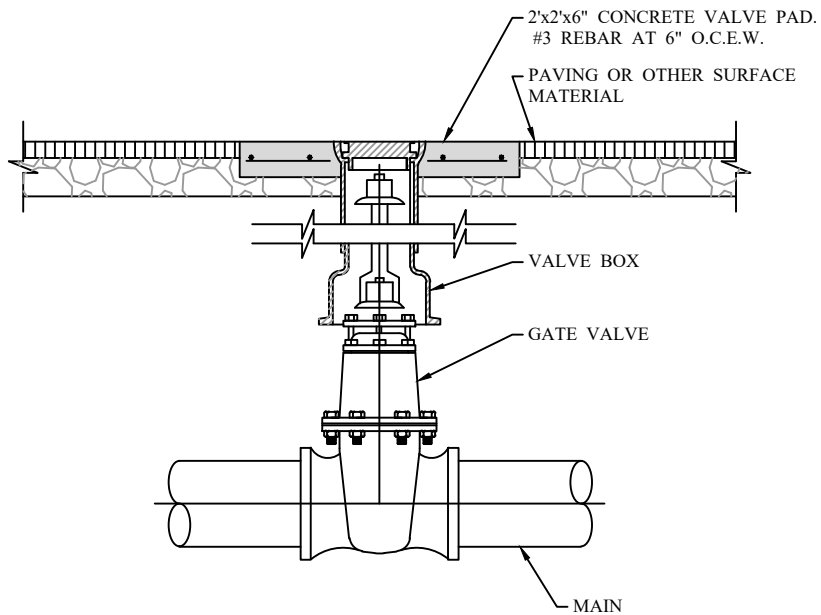


WASTEWATER MAIN CLEAN-OUT  
NOT TO SCALE



GATE VALVE BOX AND  
EXTENSION SYSTEM  
NOT TO SCALE

**CITY OF SAN ANGELO**

**GATE VALVE BOX AND**  
**MAIN CLEAN-OUT**

January 2008

S-Z-2